

HPRC2300 for DJI Neo Fly More Combo

# S-NEO-2300-01



- 1** DJI Neo
- 2** Two-Way Charging Hub with Intelligent Flight Battery
- 3** DJI RC-N3 Remote Controller
- 4** Cables & Propellers

Foam in Arplank 30: 100% recyclable and manufactured with 25% recycled content

## TECHNICAL FEATURES

### Dimension:

Internal dimension  
305,7x232,4x137,5(mm) - 12.04x9.15x5.41 (in)  
External dimension  
334,6x303x155,2(mm) - 13.17x11.93x6.11(in)

### Weight:

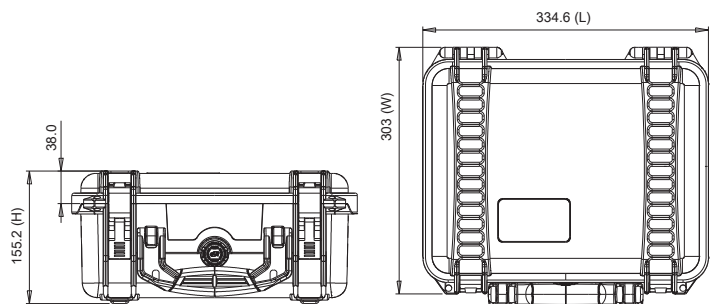
empty: 1,75kg - 3.86lbs

### Temperature rating:

Minimum Maximum  
-40°C -40°F +80°C +176°F



## TECHNICAL DRAWING



**READY**

[www.hprc.it](http://www.hprc.it)  
[info@hprc.it](mailto:info@hprc.it)

**Plaber S.r.l. - HPRC cases**  
Via Div. Tridentina, 10  
I-36061 Bassano del Grappa  
Vicenza - Italy  
Tel. +39 0424 809150

USA office and warehouse:  
HPRC USA  
110 Chestnut Ridge Rd. #314  
Montvale, NJ 07645  
Phone +1(201) 989-3353



**APPROVALS**  
ATA 300  
IP67  
STANAG 4280  
DS 81-41

**TEST**  
DROP  
IMPACT  
HANDLE  
WATERTIGHT INTEGRITY  
UV COLOR AND MATERIAL  
PROTECTION

